

ALLUMINIUM HOUSED WIRE WOUND RESISTOR (CAH Series)



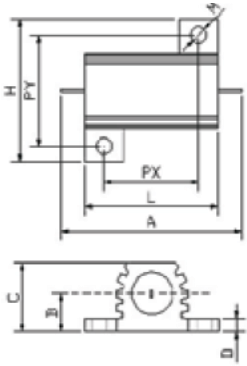
CERMET RESISTRONICS PVT. LTD

Features:-

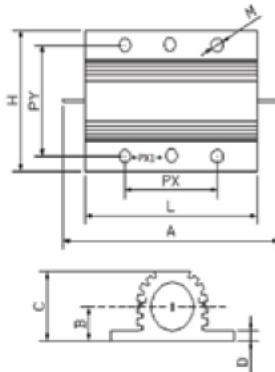
- Professional Grade Aluminum Housed Wire Wound Resistor.
- Screw Mounted Chassis To Enhance Heat Sink Effect.
- Complete Environmental Protection.
- Low Temp-Coefficient, High Stability.
- Standard Tolerance 1% ,2% & 5% available.



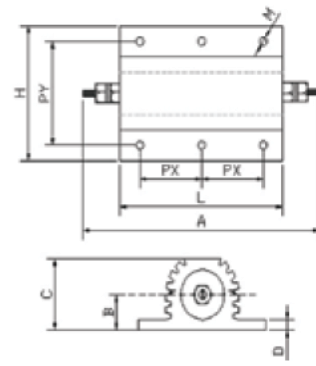
CAH5-50



CAH75-150



CAH200-300

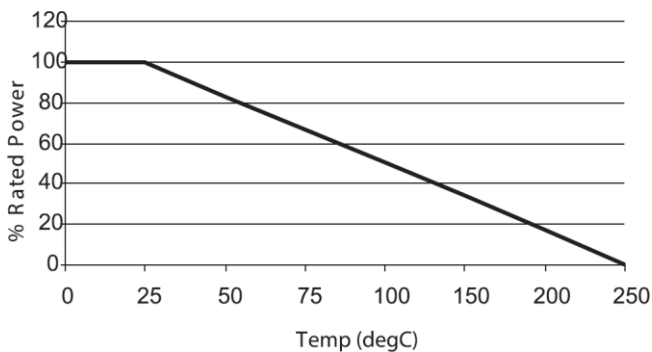


Dimensions (in mm)

Series	Physical Dimensions In mm											Heat sink Dimensions	
	Resistance Range		L ±0.5	A max	H	PX ±0.3	PY ±0.3	M ±0.5	B max	C max	D	Thick mm	Area cm ²
	Min.	Max.											
CAH5	0E01	2k2	16.8	31.0	17.0	11.3	12.4	2.4	4.5	9.0	2.5	60	1.0
CAH 10	0E01	4k2	20.1	36.5	21.0	14.3	15.9	2.4	5.5	11.0	2.5	100	1.0
CAH 25	0E01	10k	27.3	51.8	28.0	18.3	19.8	3.2	7.5	15.0	3.0	100	1.5
CAH 50	0E01	24k	50.1	72.5	30.0	39.7	21.4	3.2	8.5	17.0	3.0	225	3
CAH 75	0E01	39k	48.9	71.0	48.0	29.0	37.0	4.4	12.0	26.0	4.0	300	3
CAH 100	0E01	62k	65.4	87.5	48.0	35.0	37.0	4.4	12.0	26.0	4.0	300	3
CAH 150	0E01	100k	97.0	122.0	48.0	58.0	37.0	4.4	12.0	26.0	4.0	375	3
CAH 200	0E01	100k	89.0	143.0	73.0	35.0	57.2	5.5	20.5	45.0	5.5	450	3
CAH 250	0E01	100k	114.0	163.0	73.0	44.5	57.2	5.5	20.5	45.0	5.5	7 50	3
CAH 300	0E01	100k	127.0	180.0	73.0	52.0	59.0	6.5	20.5	45.0	5.5	900	3

Characteristics	Test Methods	Limits
Tolerance(Tighter tolerance available on request)	For Values less than 1Ω For Values greater than 1Ω	± 5% ± 0.25% to ±5%
Temperature Co-efficient	The Resistors value shall be checked at 2 temps. i.e. one At Ambient & the final at Amb. + 100 0 C. The TCR is then Calculated as : $\frac{R2-R1}{R1} \times \frac{1}{t2-t1} \times 10^6 = \text{ppm}/^{\circ}\text{C}$	± 200 PPM/°C max Lower ppm on request.
Insulation Resistance	Should be > than 10000 Mega Ohm at 500V.	> 10000 MΩ
Rated Load	A Rated Continuous Working Voltage or Maximum Working Voltage whichever less shall be applied to the resistors for a duration of 2 Hrs.	Δ R % = ± 2 % Max
Short Time Overload	5 x Rated Power or Isolation Voltage (Whichever is Lesser of the two Voltages)	ΔR < 1% +0R05
Resistance to Soldering Heat	260°C, 10 Seconds	ΔR < 0.25% +0R05

POWER DERATING CURVE



Note:-

- Non Inductive Types available.
- Special Ohmic Values on Request.
- Four Wire Configuration for very low Ohmic Values Available.

Note: - Customized Variations Available On Request.



CERMET RESISTRONICS PVT. LTD

Gate No. 61, Plot No. 1 & 2, Tal. Bhor, Shindewadi, Pune- 412205, Maharashtra, India
 Contact No. :- +91 9921050098 / 9975596459 / 9975596456
 E-mail: - sales@cermet.co.in
 Website :- www.resistorcermet.com