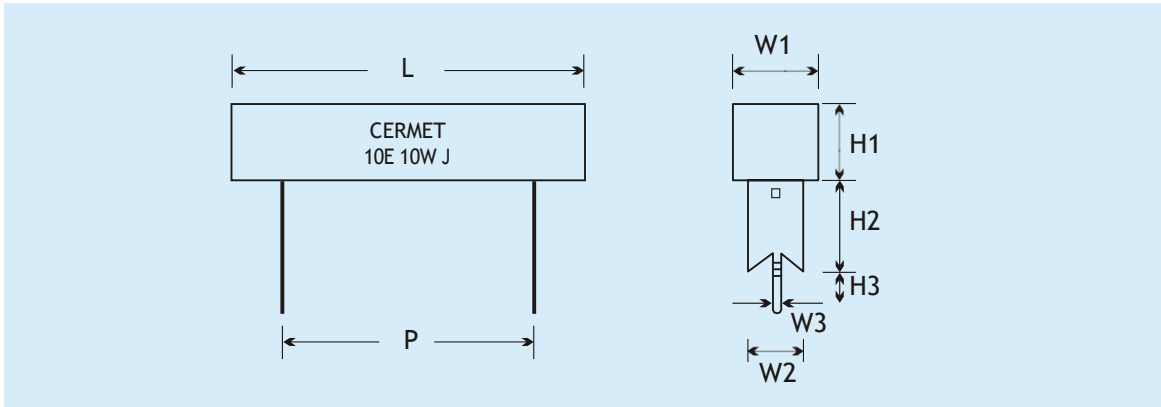
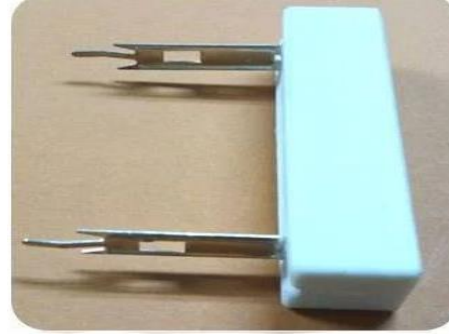
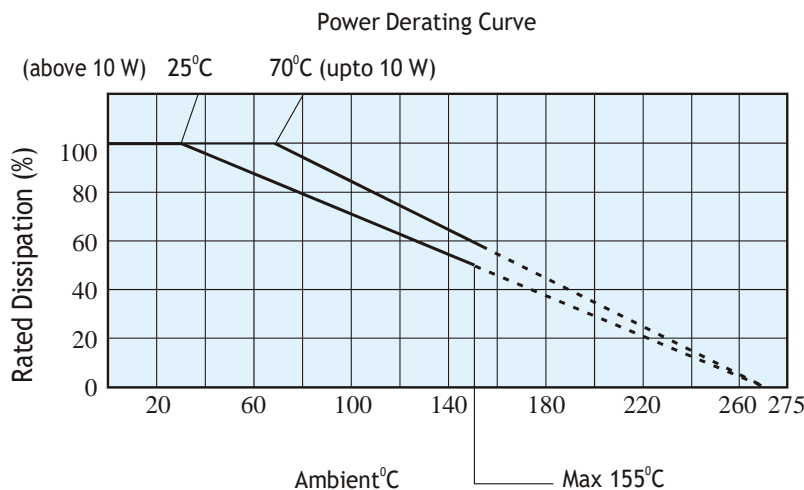


- 3W to 20W
- Flame proof
- 0.1E to 10K
- Choice of PCB terminal stand-off height which are adaptable to wave soldering



Dimensions (in mm)											
Type	Power Rating	L	W1	H1	P	H2	H3	W2	W3	Resistance	
	70°C	± 1.5	± 1	± 1	± 1.5	± 3	± 0.5	± 0.3	± 0.2	min.	max.
CCT3	3W	24.5	9.5	9.5	12.0	15.0	4.5	7.3	1.4	R10	1K
CCT5	5W	27.0	9.5	9.5	15.0	15.0	4.5	7.3	1.4	0.1 E	1K
CCT7	7W	35.0	9.5	9.5	22.5	15.0	4.5	7.3	1.4	0.1 E	5K
CCT10	10W	48.0	9.5	9.5	35.0	15.0	4.5	7.3	1.4	0.1 E	5K
CCT15	15W	48.0	12.5	12.5	32.5	15.0	4.5	7.3	1.4	0.1 E	5K
CCT20	20W	63.0	12.5	12.5	48.5	15.0	5.0	7.3	1.4	0.1 E	10K



Note: Customised variations available on request.