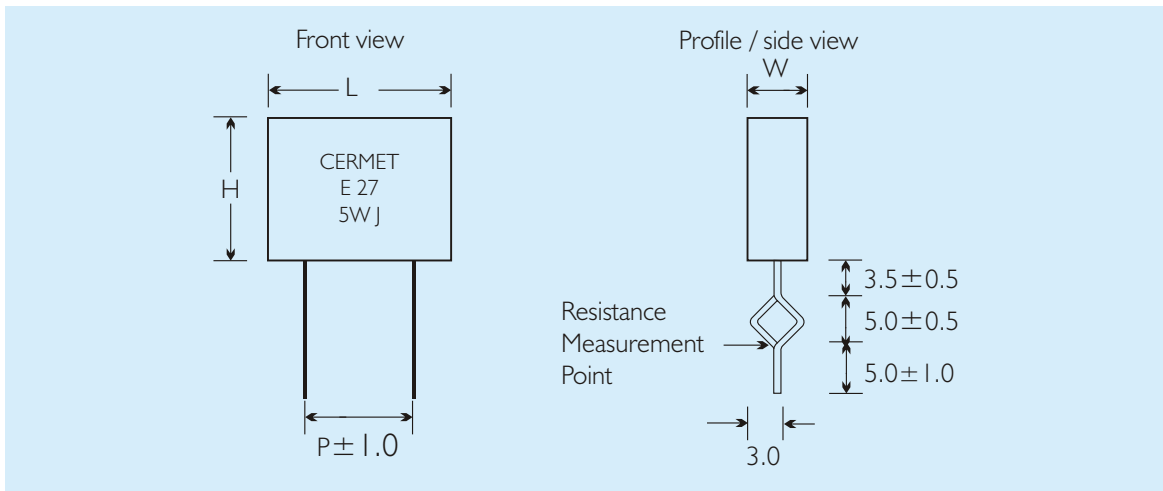
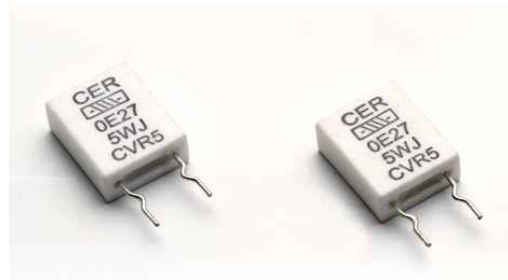


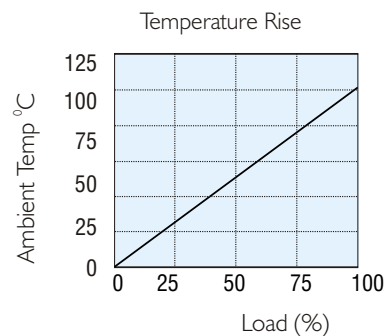
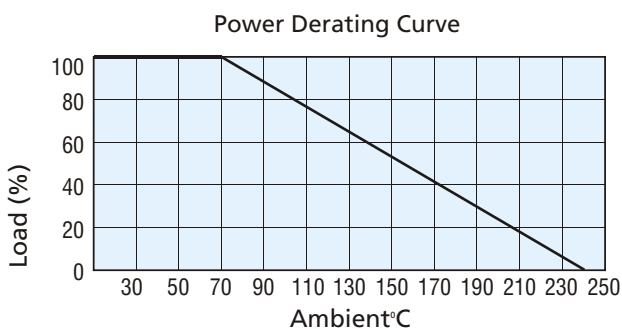
WIRE WOUND RESISTORS (CVF - Series)

- High Grade Ncr Ribbon Element
- Encased in Slim Ceramic case
- Super Heat dissipation & Lower Temp Co-efficient
- Low Inductance
- Flame Proof & Non Combustibles
- Standard tolerance 5% available



Dimensions (in mm)									
Type	Power Rating	Dimensions (mm)					Resistance Range		
		L	W	H	Ø d	P	min.	Max.	
		70°C	± 1	± 1	± 1	± 0.05	± 1		
CVF2	2W	14.0	4.5	8.5	0.8	9.0	E10	E68	
CVF3	3W	15.0	5.0	13.5	0.8	9.0	E10	E68	
CVF5	5W	15.0	5.0	18.0	0.8	9.0	E10	1E0	
CVF10	10W	26.5	5.0	18.0	0.8	20.0	E10	1E2	

- Max. Working Voltage (RCWV) = $\sqrt{P \times R}$ or Maximum Working Voltage which ever is less.
- Non-Standard Values available on Request
- Test Parameters as per Customer specifications



Note: Customised variations available on request.